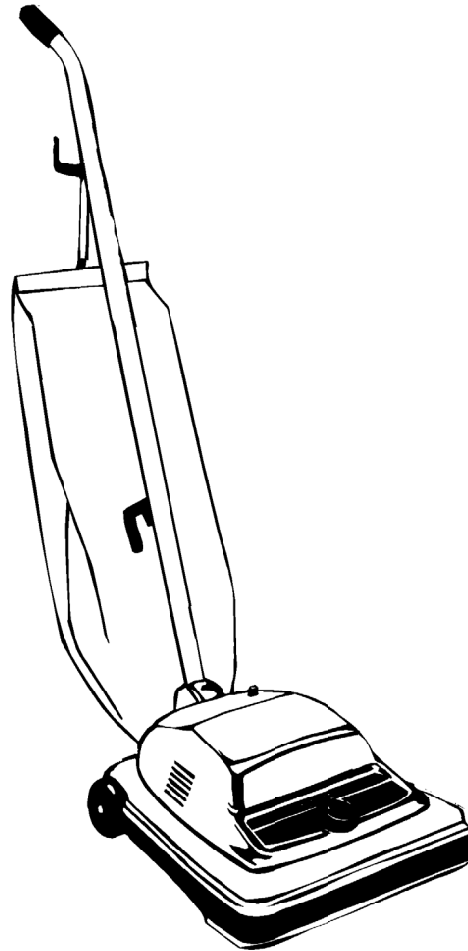


ReliaVac™ 12



PARTS LIST

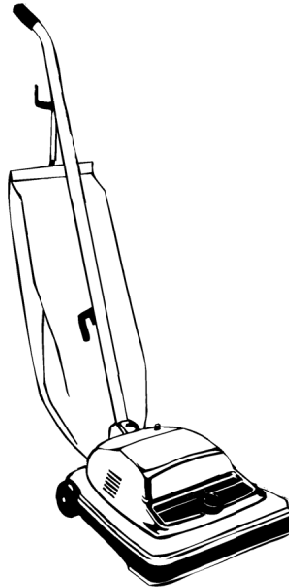
Nilfisk-Advance MODEL 56648069



**Nilfisk
Advance**

setting standards

11/04 revised 7/05 FORM NO. 56042456

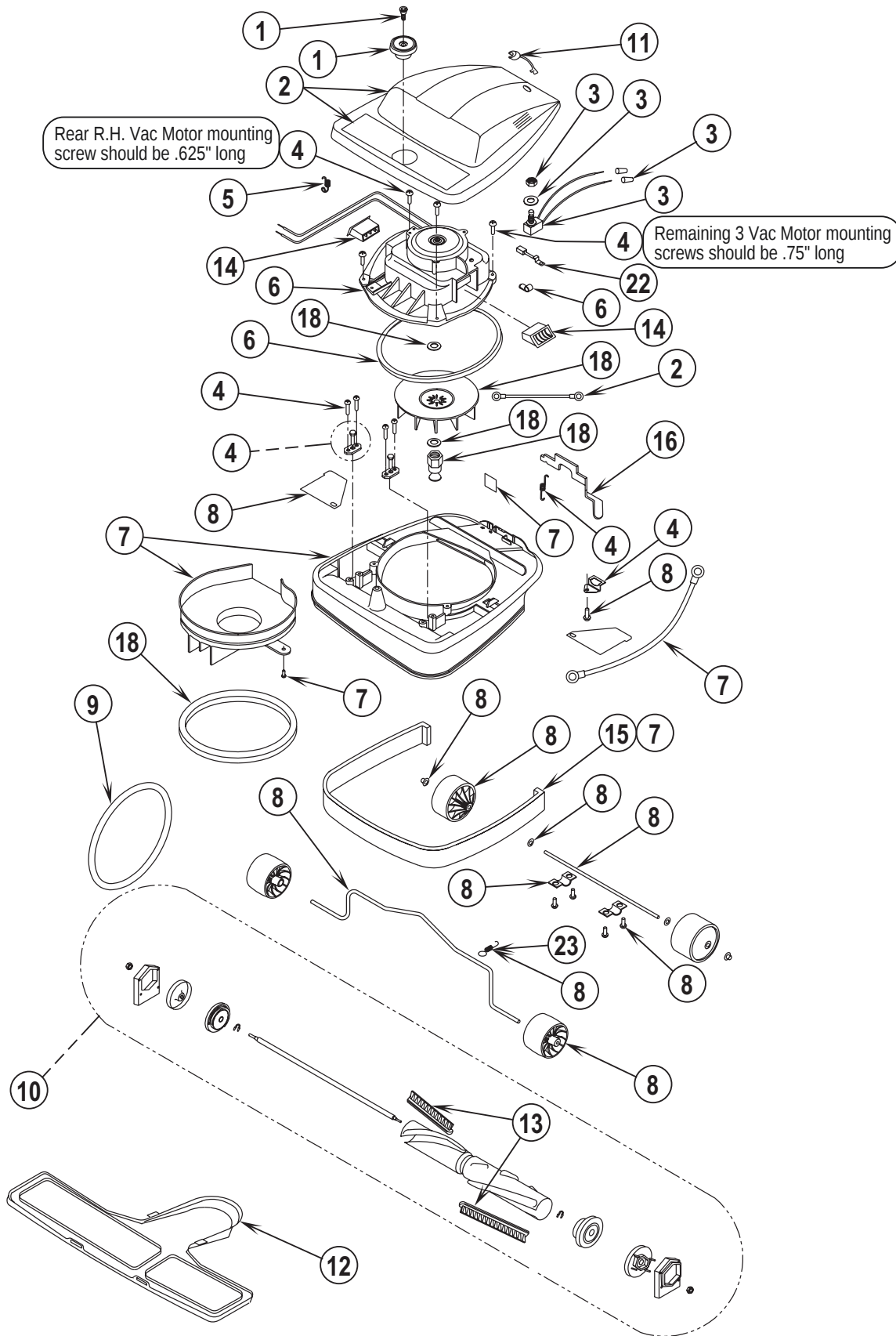


DESCRIPTION	PAGE
Base Assembly.....	2-3
Handle Assembly	4-5
Wiring Diagram	5

WHEN ORDERING PARTS

- * Use the 8 digit numbers from the "Ref. No." columns in this parts list.
- * Specify the model and serial number of the machine.
- * Use the space below to record the model and serial number for future reference.

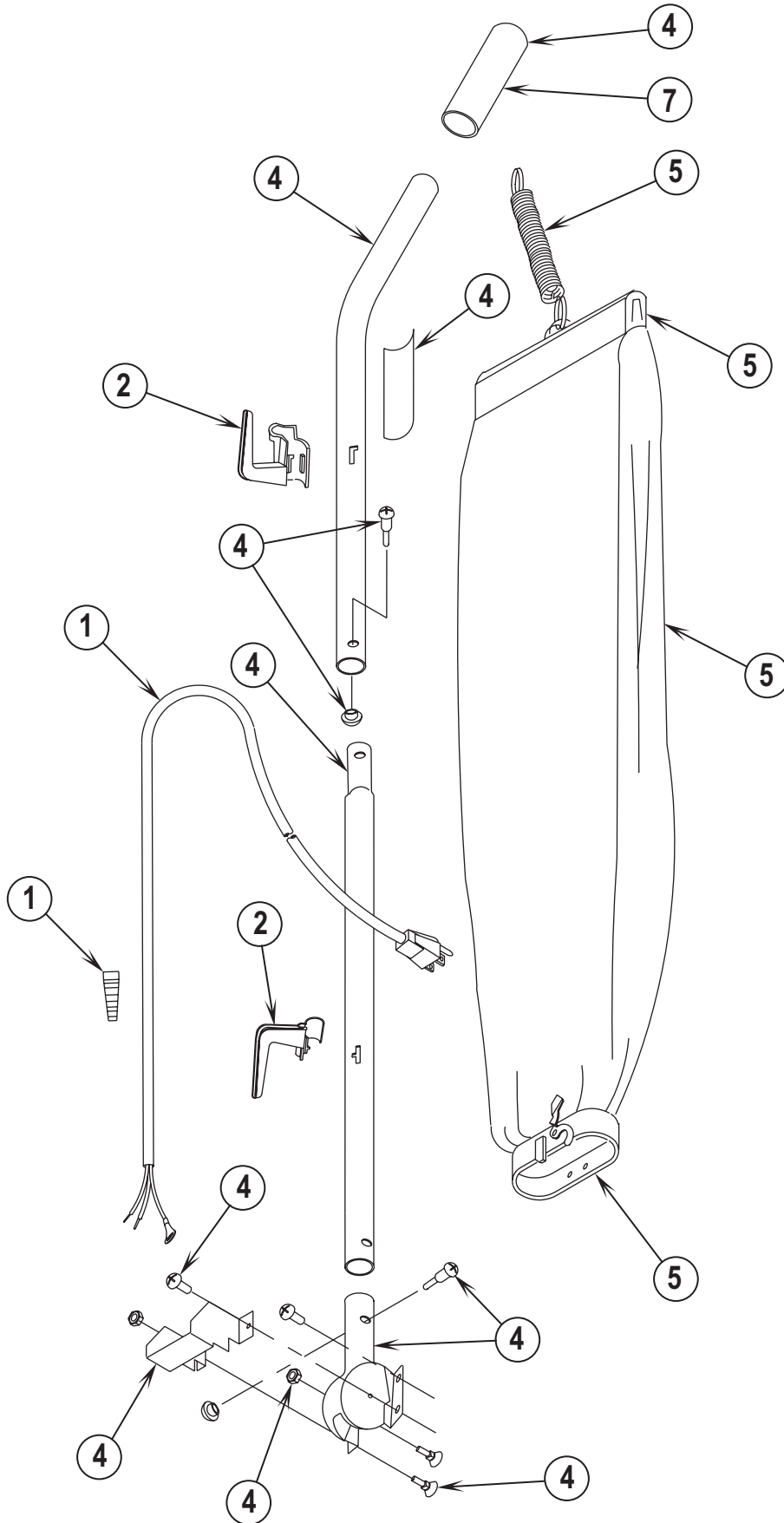
Model _____ Serial No. _____



04-11	BASE ASSEMBLY		
05-7	ReliaVac™ 12		3

Item	Ref. No.	Qty	Description
1	56648400	1	Brush Height Knob Assembly
2	56648401	1	Hood Assembly
3	56648405	1	Switch Assembly
4	56648410	1	Hardware Kit Base
5	56630765	2	Spring, Ext .304d .930l .055wd
6	56648406	1	Motor & Seal Assembly
7	56648407	1	Base Assembly
8	56648422	1	Wheel Assembly
9	56630563	1	Belt-Disturbulator Drive
10	56630489	1	Disturbulator, Assembly
11	56648417	1	Power Cord Assembly (see #1 on page 5)
12	56630478	1	Asm, Plate--Bottom
13	56648412	1	Brush Strip Kit
14	56648418	1	Air Duct Assembly
15	56630508	1	Guard, Furn--Clear Blue, 31.00l
16	56630395	1	Pedal, Foot--Uprt, White
18	56648420	1	Pulley and Fan Kit
22	56630561	2	Carbon Brush, Mtr
23	56630620	1	Spring, Ext .275d 1.50l .024wd
**	56052964	1	Magnet, Permanent
**	56630325	1	Upright Vacuum Accessory Kit

* = Not Shown
** = Not Included (optional)





**Nilfisk
Advance**

setting standards

Nilfisk-Advance, Inc.
14600 21st Avenue North
Plymouth, MN 55447-3408
www.nilfisk-advance.com
Phone: 800-989-2235
Fax: 800-989-6566
©2005 Printed in China